

1

2

3

4

5

6

A

A

B

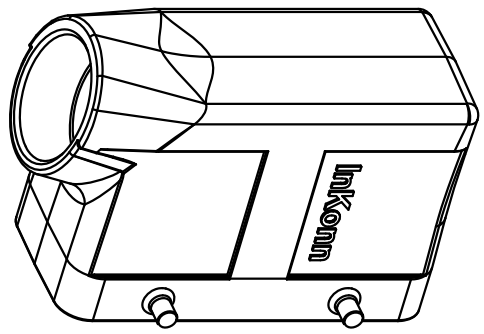
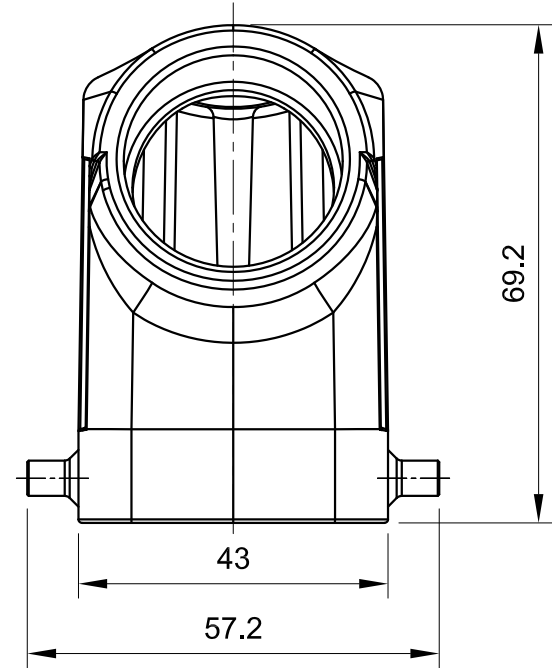
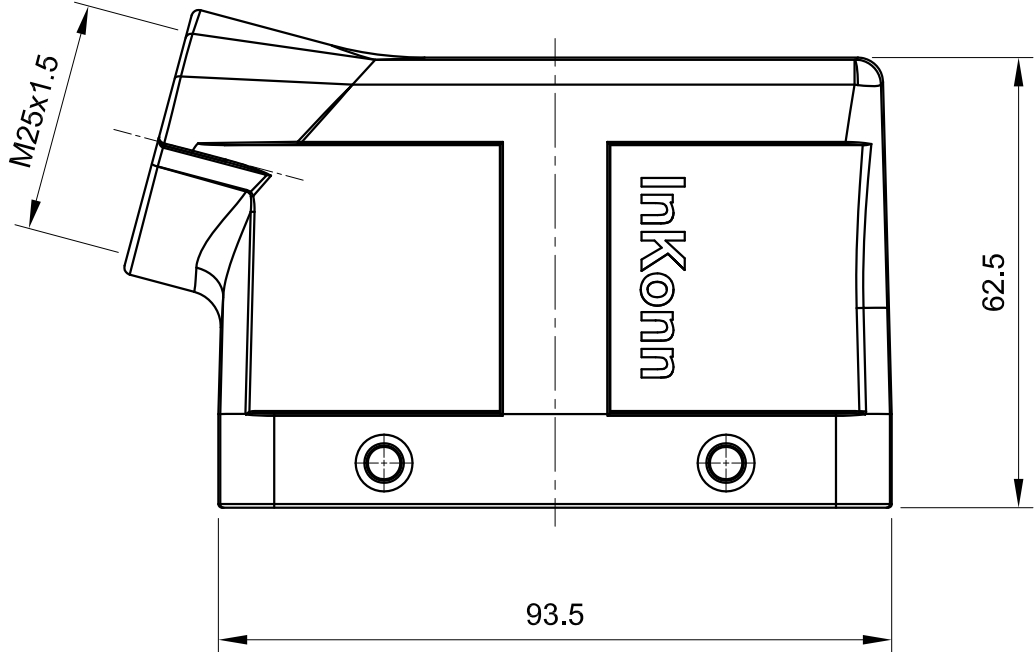
B



C

C

D

D



 All Dimensions in mm Original Size DIN A4	Date 2020-07-10	Drawing No. TC2519091	Rev. A00	Scale 1:1
	Part No. 10 11 016 0142	Created by Shuxu Huang	Checked by Yiyi Luo	Page 1/1
 InKonn (Suzhou) Electric Technology Co.,Ltd. Type Name <b>HB16-SE-QB-M25</b>				

1

2

3

4

5

6